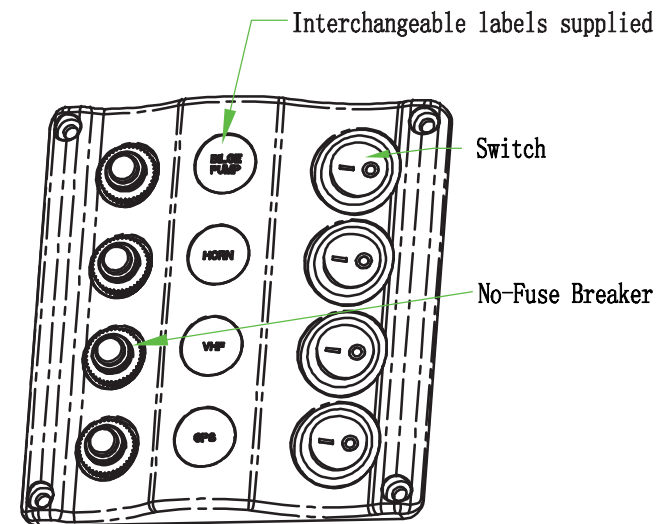
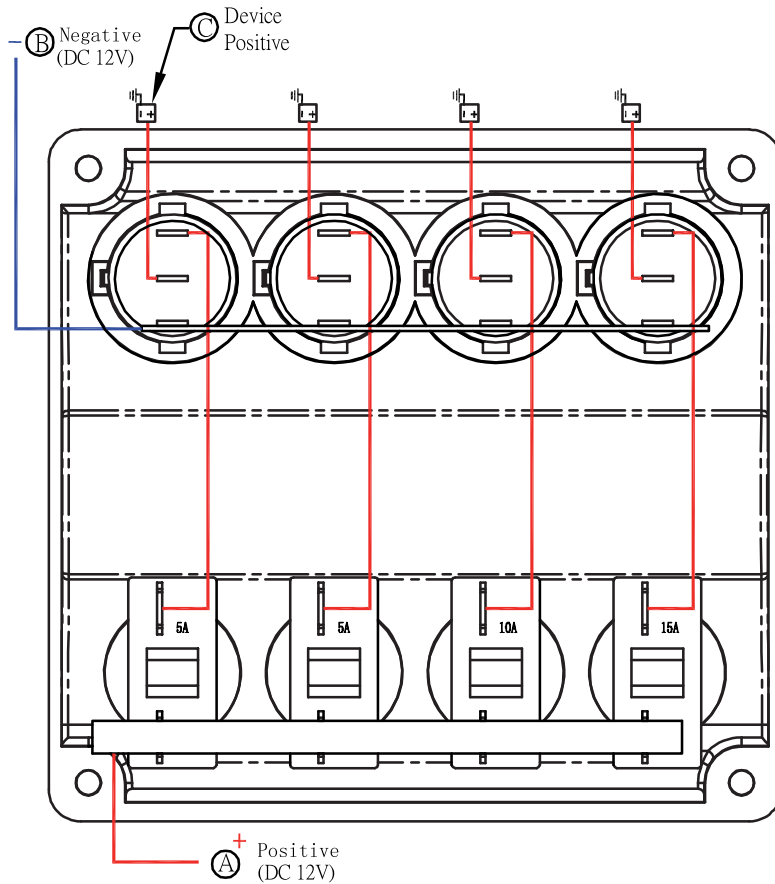


OSCULATI

WAVE DESIGN ELECTRIC CONTROL PANEL

Code 14.104.01



Features

1. Made of ABS material
2. Use No-Fuse Breaker, 15 Amp maximum per circuit
3. 15 AMP/10 AMP/5 AMP fuses are supplied with fuse holders
4. 30 labels included
5. Maximum Circuit Cumulative Rating is 20 Amp

Instruction

1. Connect 12 Volt DC positive to A
2. Connect 12 Volt DC negative to B
3. Connect device DC positive to C
4. Cutout size for each unit as shown on the back page.